

DESCRIPTION

AMC MODEL SWCH1-DC40-SK IS A TERMINATED SPST SWITCH WITH A FREQUENCY RANGE OF DC TO 40 GHz.

FEATURES

- HIGH FREQUENCY
- WIDE BANDWIDTH
- FAST RISE TIMES
- MINIATURE SIZE
- LOW POWER

SPECIFICATIONS

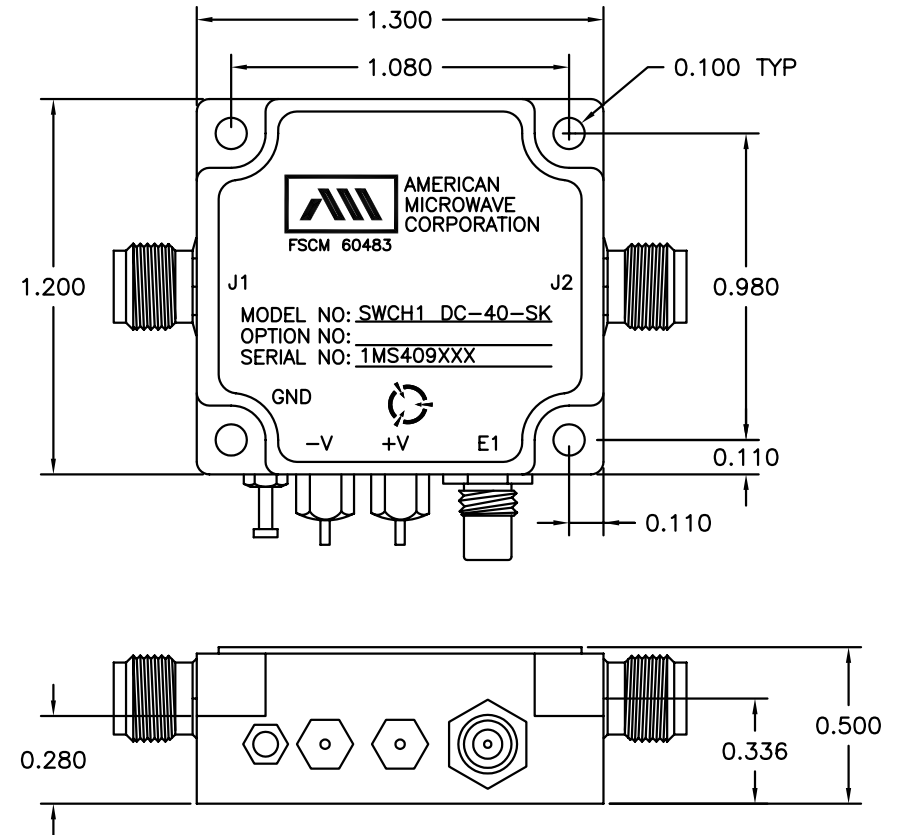
- FREQUENCY RANGE ····· DC TO 40 GHz
- INSERTION LOSS ····· 5.5dB TYPICAL, 6.8dB MAXIMUM
- ISOLATION ····· 65 TYPICAL 55dB MINIMUM
- VSWR ····· 2.0:1 TYPICAL 2.2:1 MAXIMUM
- RISE / FALL TIME ····· 900ps TYPICAL 1ns MAXIMUM
- SWITCHING TIME ····· 5ns Typ 6ns MAXIMUM
- CONTROL ····· TTL "1"=ON (STANDARD)
- RF POWER ····· 17dBm MAXIMUM
- DC on RF INPUT ····· ±0.5V MAXIMUM
- CONNECTORS
 - RF IN/OUT ····· 1.85mm V CONNECTOR
2.40mm COMPATIBLE
 - CONTROL ····· SMC
 - POWER ····· SOLDER PINS
- DC POWER
 - +V ····· +8V TO +15V @ 15mA MAXIMUM
 - V ····· -8V TO -15V @ 40mA MAXIMUM
- SIZE ····· 1.20" x 1.30" x 0.50"

ENVIRONMENTAL RATINGS

- **TEMPERATURE:** ····· -40°C TO +85°C (OPERATING)
-55°C TO +125°C (STORAGE)
- **HUMIDITY:** ····· MIL-STD-202F, METHOD 103B COND. B
- **SHOCK:** ····· MIL-STD-202F, METHOD 213B COND. B
- **VIBRATION:** ····· MIL-STD-202F, METHOD 204D COND. B
- **ALTITUDE:** ····· MIL-STD-202F, METHOD 105C COND. B
- **TEMPERATURE CYCLE:** ··· MIL-STD-202F, METHOD 107D COND. A

NOTE: SPECIFICATIONS WILL VARY OVER OPERATING TEMPERATURE
NOTE: THE ABOVE SPECIFICATIONS ARE SUBJECT TO CHANGE OR REVISION

REVISIONS				
ZONE	REV.	DESCRIPTION	DATE	APPROVED
	-	ORIGINAL RELEASE JOB# 307137PE	10/15/04	JK



ALL DIMENSIONS ARE IN INCHES
TOLERANCES:
X.XX ±0.020
X.XXX ±0.010

AMERICAN MICROWAVE CORPORATION

7311-G GROVE ROAD
FREDERICK, MARYLAND 21704 USA
TEL: 301-662-4700 FAX: 301-662-4938
WEBSITE: www.americanmicrowavecorp.com
E-MAIL: sales@americanmicrowavecorp.com
ISO 9001:2000 CERTIFIED



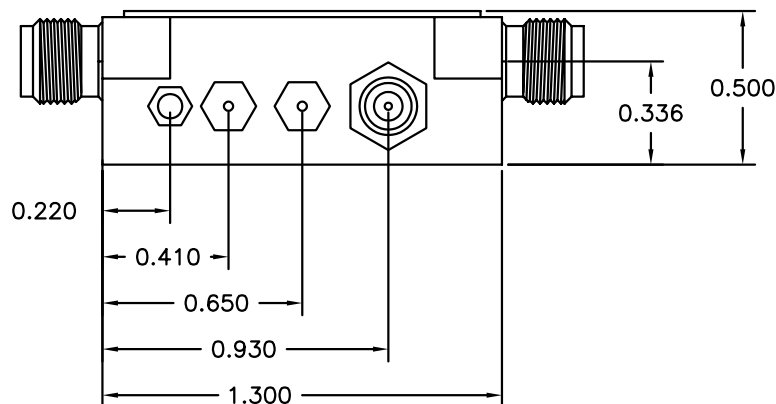
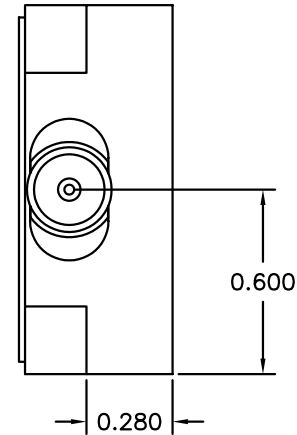
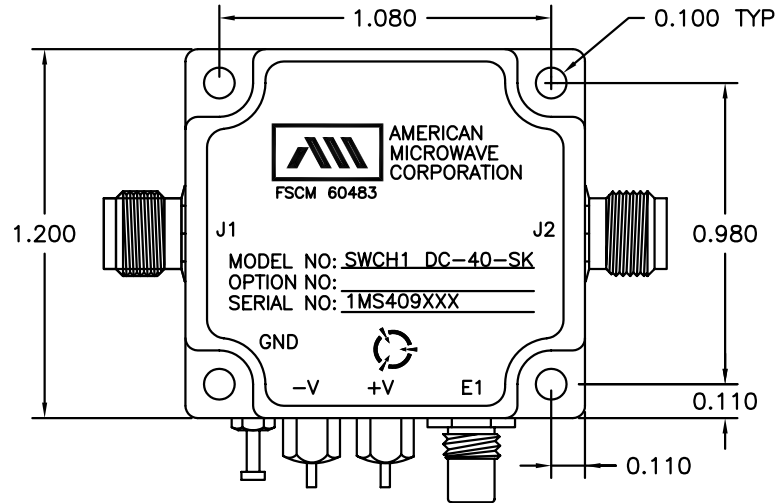
APPROVALS		DATE	TITLE			
DRAWN JK		05/19/05	PRODUCT FEATURE SWCH1-DC40-SK			
CHECKED			DC - 40 GHz, NON-REFLECTIVE SPST SWITCH			
ISSUED			SIZE	FSCM NO.	DWG NO.	REV.
			A	60483	100-7090	-
			SCALE	N:S		SHEET 1 OF 3

DESCRIPTION

AMC MODEL SWCH1-DC40-SK IS A TERMINATED SPST SWITCH WITH A FREQUENCY RANGE OF DC TO 40 GHz.

REVISIONS				
ZONE	REV.	DESCRIPTION	DATE	APPROVED
-	-	ORIGINAL RELEASE JOB# 307137PE	10/15/04	JK

MECHANICAL OUTLINE



NOTE:

ENSURE NO EXCESSIVE MECHANICAL LOADS ARE PLACED ON THE 1.85mm V CONNECTORS

AMERICAN MICROWAVE CORPORATION

7311-G GROVE ROAD
 FREDERICK, MARYLAND 21704 USA
 TEL: 301-662-4700 FAX: 301-662-4938
 WEBSITE: www.americanmicrowavecorp.com
 E-MAIL: sales@americanmicrowavecorp.com
 ISO 9001:2000 CERTIFIED



ALL DIMENSIONS ARE IN INCHES
 TOLERANCES:
 X.XX ±0.020
 X.XXX ±0.010

APPROVALS		DATE	TITLE		
DRAWN <i>JKM</i>		05/19/05	MECHANICAL OUTLINE		
CHECKED			SWCH1-DC40-SK		
ISSUED			DC - 40 GHz, NON-REFLECTIVE SPST SWITCH		
SIZE	FSCM NO.	DWG NO.	REV.		
A	60483	100-7090	-		
SCALE N:S			SHEET 2 OF 3		